

CATALOGUE 2023



SERIES 9000
AIRBRAKE FITTINGS



SOLUTIONS FOR THE TRANSPORTATION SECTOR



Being one of our three strategic business sectors, Camozzi Automation offers the **Transportation** industries a wide range of products. These products are ready for use in the harshest conditions, are reliable and efficient, in order to keep **you** moving.

In close cooperation with our customers and partners, we develop and produce standard products and customised solutions, always focussing on 3 main targets: **high performance, smart design and excellent quality**.

Developing products that can operate under extreme temperatures, in dirty or corrosive environments and resist to high mechanical loads and vibrations is **the mission** that drives our experienced and motivated engineers.

A remarkable level of design and production know-how, combined with an enterprising spirit and a commitment to listen to customers, is for us the **key to success** in the **Transportation** sector.

Our **worldwide customer base** consists of leading OEM`s, Tier 1 System Suppliers, Component Manufacturers, Body Builders and well-known players in the Aftermarket and Repair business.

We always follow one leading principle: **"Customer first - always"**.

Camozzi Automation`s long history in the **Transportation** sector has brought us into the supply chain of many different vehicle classes, including **On Road, Off Highway** and **On Rail** operation.

We are active in the major application fields, including **Chassis, Cabin & Body, Mobile Automation** and the **Powertrain**.

Our offering starts from fittings for multiple fluids like air, fuel, water, oil or grease and extends over a wide range of control valves for gases & fluids, to pneumatic and electric actuators, filters, regulators and other complementary products. This comprehensive range makes us **the right partner for your project**.

Connection or Actuation, On/Off or Proportional, Analogue or CAN-BUS, IATF 16949 or IRIS, **we talk your language**.

**TRUCK
& TRAILER**



**BUS
& COACH**



**OFF
HIGHWAY**



**PASSENGER CAR
& LIGHT DUTY**










RAILWAY



General index

SERIES 9000 - GENERAL INDEX












Straight connectors

		Page
	Mod. 9512 Straight fittings	10
	Mod. D6512 Straight fittings	10
	Mod. 9510 Straight fittings	11
	Mod. 9463 Straight fittings with female thread	11
	Mod. 9590 Bulkhead connectors	11
	Mod. 9590 Bulkhead connectors Mod. 9590 with 24° cone	12
	New Mod. 9592 Bulkhead connectors	12






Shaped non-swivel connectors








		Page
	Mod. 9502 Elbow fittings	13
	Mod. 9500 Elbow fittings	13
	Mod. 9412 Branch Tee fittings	14
	Mod. 9410 Branch Tee fittings	14
	Mod. 9422 Run Tee fittings	15
	Mod. 9420 Run Tee fittings	15
	Mod. 9102 135° Elbow fittings	15
	Mod. 9555 Plug-In Elbow connector	16
	Mod. 9450 Y fittings	16
	Mod. 9402 Elbow fittings	16






Shaped swivel connectors




		Page
	Mod. D2912 Swivel studs	17
	New Mod. D2993 Bulkhead swivel studs	17
	New Mod. 9919 Bulkhead swivel connectors	17
	Mod. 9707 Anti-rotation ring	18
	Mod. 9520 Swivel Elbow fittings	18
	Mod. 9430 Swivel Branch Tee fittings	18
	Mod. 9440 Swivel Run Tee fittings	19
	Mod. D2220 Swivel Elbow adaptors	19
	Mod. D2260 Swivel Branch Tee adaptors	19
	Mod. D2270 Swivel Run Tee adaptors	20
	New Mod. D2210 Swivel 135° adaptors	20




Inline connectors

		Page
	Mod. 9580 Straight connectors	21
	Mod. 9592 Bulkhead connectors	21
	New Mod. 9851 Barb connectors	22
	Mod. 9540 Tee connectors	22
	New Mod. 9560 Y connectors	22

Adaptors & Valves		Page
	Mod. D2502 and D2512 Bulkhead adaptors	23
New 	Mod. D2592 Bulkhead adaptors	23
New 	Mod. D2593 Bulkhead reducer	23
New 	Mod. D2543 Union	24
	Mod. D2532 Reducer	24
	Mod. D2602 Hose adaptors	24
	Mod. D2022 Elbow adaptors	25
	Mod. D2062 Branch Tee adaptors	25
	Mod. D2072 Run Tee adaptors	25
	Mod. D2003 Branch Tee adaptors	26
	Mod. D2003-S01 Branch Tee adaptors	26
	Mod. D2032 Cross adaptors	26
	Mod. D2077 Bilateral Tee adaptors	27
	Mod. D3043 Multiport adaptors	27

Adaptors & Valves		Page
	Mod. D2612 Plug (inner hex)	27
New 	Mod. D2612 Plug (outer hex)	27
	Mod. VPC2 Test point valve	28
	Mod. VPC2 Bulkhead with test point & tube connection	28
	Mod. VDC2 Drain valve	28
	Mod. V604 Tyre inflator valve	29
New 	Mod. D1593 Bulkhead Nut	29
New 	Mod. D1593 Thread Nut	29

Accessories		Page
	Mod. TRN Tubes	30
	Mod. DRK Tube disconnecting	30
	Mod. PNZ and PNPZ Tube cutter tool	30

Assortment boxes / Repair Kits		Page
	TRUCK-DCASE/6000 Repair kit with Series 6000 fittings	31
	TRUCK-DCASE/9000 Repair kit with Series 9000 fittings	31
	TRUCK-DCASE/9000+6000 Repair kit with Series 9000 and Series 6000 fittings	31

Series 9000 Airbrake Fittings

SERIES 9000



Series 9000 fittings have been designed to connect tubing according to DIN 74324 or ISO 7628 in the pneumatic brake systems of commercial vehicles. They offer excellent reliability and ease of assembly. The range includes a very compact release tool for disconnecting tubes from the fittings.

The tube interface is shielded by a rubber cap for protection of the internal parts against dirt and water ingress. The integrity level of the interface concept, even during disassembling, is outstanding.

Series 9000 offers a smart portfolio of different types of connectors. Depending on the demands of our customers, we are also ready to provide customized solutions.

Series 9000 fittings are TÜV certified and produced according to IATF 16949:2016 standards.

Main technical features

Thread type	Metric acc. ISO965 / Conical NPTF acc. ANSI B1.20.3
Media	Compressed air (other fluids, please contact our technicians)
Operating pressure	Up to 16 bar (review also tube specifications)
Operating temperature	-50°C up to 100°C (peak) (review also tube specifications)
Tubes	Designed for use with Polyamide or Hytrel® tubing, compliant with standards DIN 73378, DIN 74324 or ISO 7628

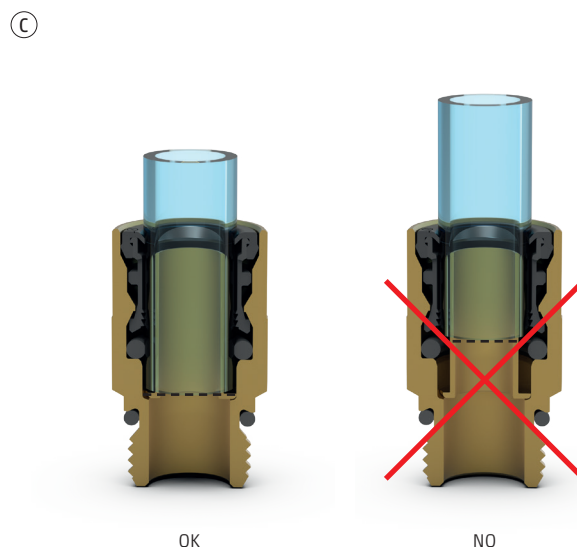
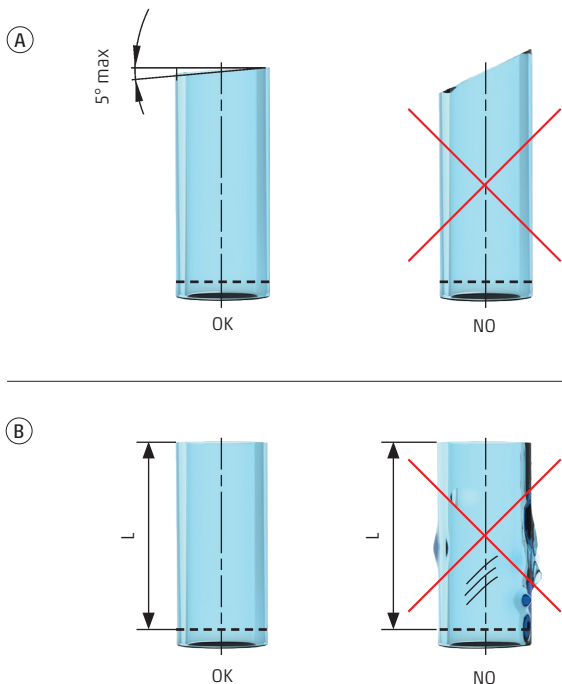
Our Certifications

Working from a "Total Quality" perspective also means proving one's commitment through the achievement of international certifications. Camozzi's primary goals include quality, safety and the protection of the environment.



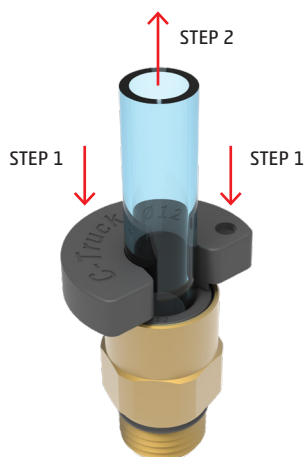
Looking for more information and our latest certificates? Scan the QR code.

Assembly and removal of the tube



To guarantee a correct, safe and tight connection, it is necessary to cut the tube in the correct way. The cutting angle should not exceed 5° (Picture A), thus we recommend to use a tube cutting tool, Refer to PNZ in this catalogue. The outer surface of the tube needs to be smooth and free from any kind of damage or dirt (Picture B). When inserting the tube, make sure to push it into the fitting down to the tube stop (Picture C). The correct insertion length is specified for every tube size/fitting and can be found in the table to the right (Assembly length L). We recommend marking the insertion length on the tube with a pen or tape before assembling, in order to visually ensure proper insertion.

Tube	Outer diameter (mm)	Inner diameter (mm)	Assembly length L (mm)
4x1	4	2	18,5
6x1	6	4	17,5
8x1	8	6	19,5
10x1	10	8	21
10x1,25	10	7,5	21
10x1,5	10	7	21
12x1,5	12	9	21,5
15x1,5	15	12	25
16x2	16	12	27,5
18x2	18	14	27,5



To remove the tube from the fitting, use the Series 9000 DRK release tool. Hook it onto the tube and press the protection cap down to release the tube so that you can pull it out of the fitting.

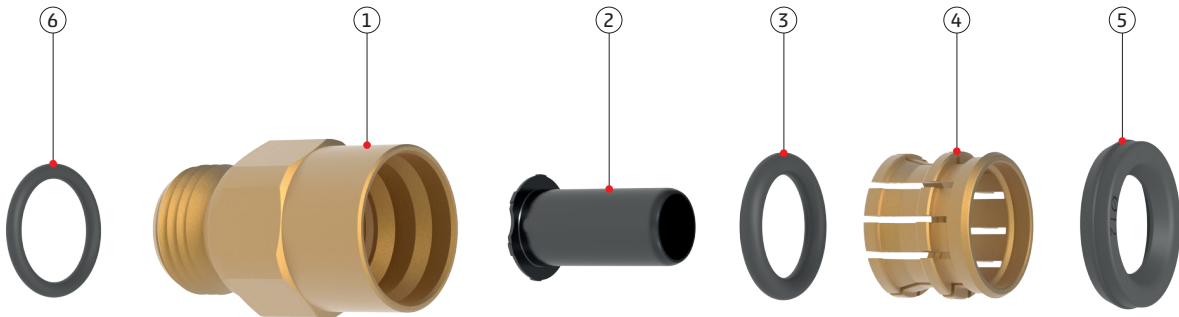
Attention: Do not try to remove the tube from the fitting when the system is still pressurised. Make sure you have released all the air pressure before you remove the tube.

Tube assembly and disassembly must be carried out by a technician who is trained and has detailed knowledge of the air brake system and the Series 9000 fittings.

Please ensure mounting torques for straight connectors, straight studs and the fixation nuts of shaped connectors meet the values shown in the table on the right.

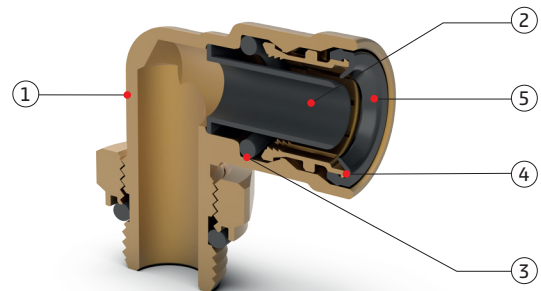
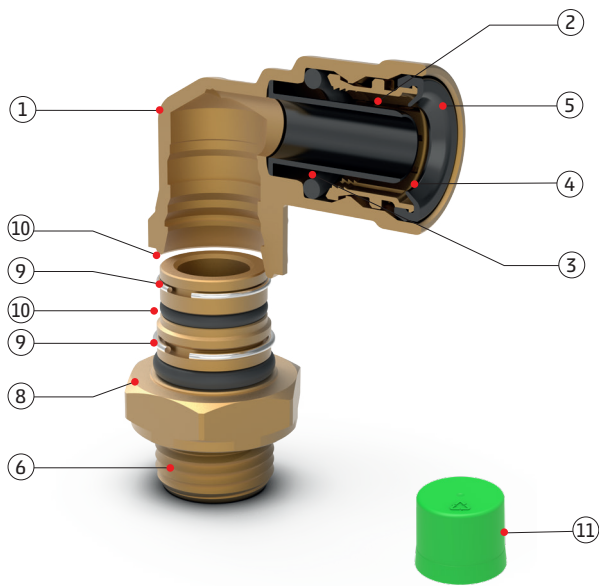
Thread	Torque force (Nm)
M10X1	11 - 15
M12X1,5	15 - 22
M14X1,5	19 - 23
M16X1,5	24 - 33
M18X1,5	27 - 33
M22X1,5	36 - 44

Straight connectors



Shaped swivel connectors

Shaped non-swivel connectors

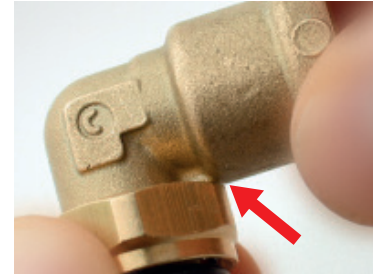
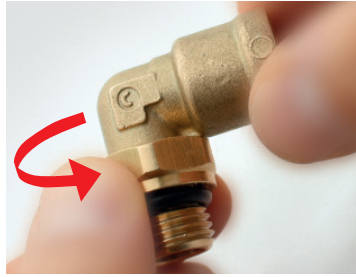


COMPONENT	MATERIAL
1 = Body	Brass
2 = Support Tube	Composite
3 = Tube O-Ring	NBR
4 = Collet	Brass
5 = Dirt Seal	NBR
6 = Thread O-Ring	NBR
7 = Locking Nut	Brass
8 = Swivel Body	Brass
9 = Swivel O-Ring	NBR
10 = Seeger Ring	Stainless Steel
11 = Protection Cap	Biodegradable Composite

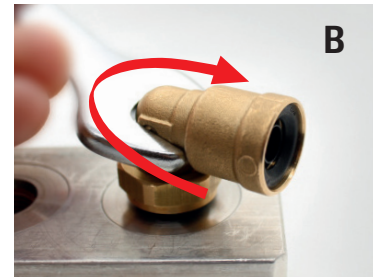
Assembly of shaped Non-Swivel Connectors

To ensure a tight and secure connection between the fitting and the threaded port of the component in the pneumatic system, please install following this procedure:

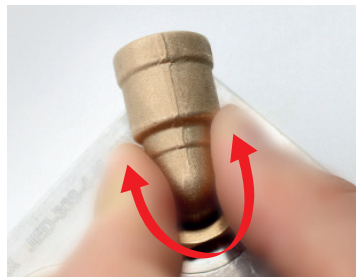
1. Screw the nut upwards until you reach the mechanical stop (do not tighten the nut against the stop with a tool, simply position the nut by hand, as shown in the picture).



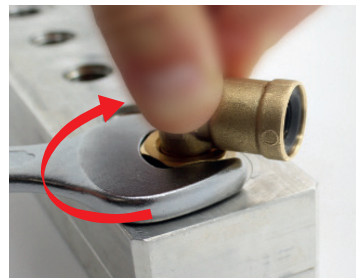
2. Screw the fitting into the threaded port until the O-ring seal touches the surface of the port. This can be done by hand or using a tool. We recommend you do this by hand to maintain feel and identify once the correct position is reached. (Picture A)



3. Bring the fitting into the final, desired position rotating it by a maximum of 180° clockwise or anti-clockwise.



4. Fix the position you have defined for your fitting with one hand and tighten the connection by screwing the nut downwards until you have reached the recommended torque (see table on the previous page).



5. The assembly is now complete.

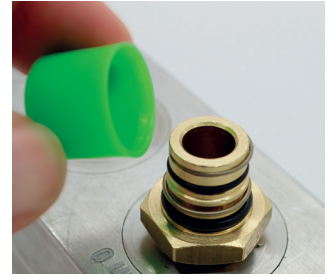
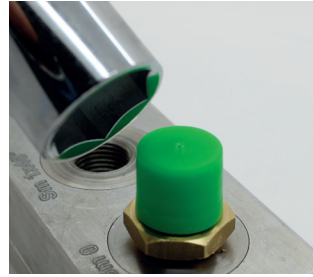
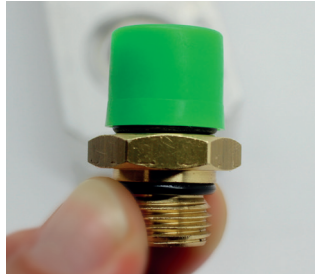


Assembly of Swivel Connectors

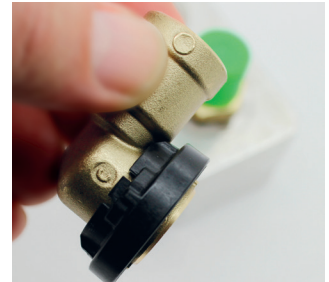
For Swivel Connectors, please install manually according to the following instructions. **Attention:** Swivel connectors must not be used in applications with relative movement (e.g. connections between truck & trailer or between axle and chassis).

SERIES 9000

1. Mount the stud onto the port (please refer to the maximum torque forces on the previous pages). We recommend removing the cap just before you mount the female part to the stud in order to prevent dirt on or damage to the O-rings.



2. Position the female part on the stud. If you want to use an anti-rotation lock, attach this to the female part before you connect to the stud.

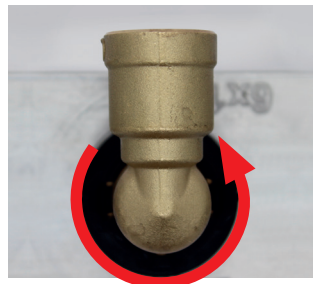
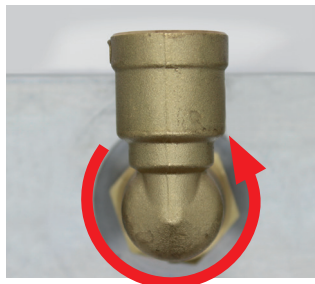


3. Now press down the upper part completely. The assembly is now complete.

Note: This connection cannot be disassembled again.

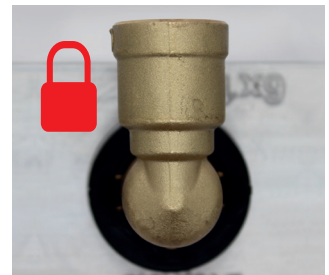
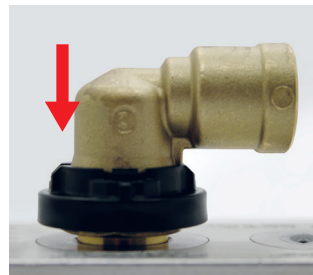


4. The swivel connector is now completed and ready for the tube to be inserted. The connector can be rotated to the necessary position (360° swivelling). If you have added a rotation lock and the connector is still swivelling, this is because you have not yet engaged the lock.



5. To engage the rotation lock, bring the upper part to a position that lets you press it down to interlock with the hexagon of the stud. Then press the locking ring down. The connector is now fixed in position.

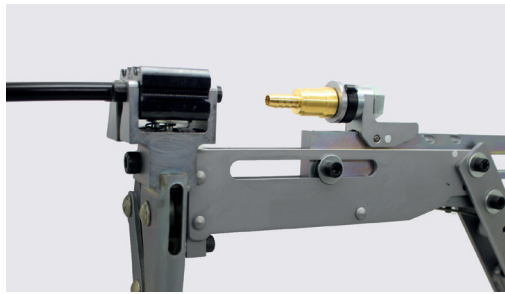
Attention: The lock is a positioning support for line routing. It is not meant to withstand excessive bending forces



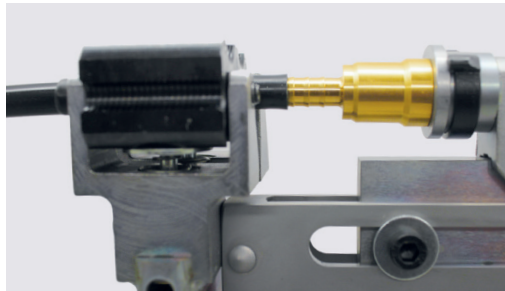
Assembly of barb connectors

For the assembling of our inline connectors with barb, we recommend to use market available tool sets.

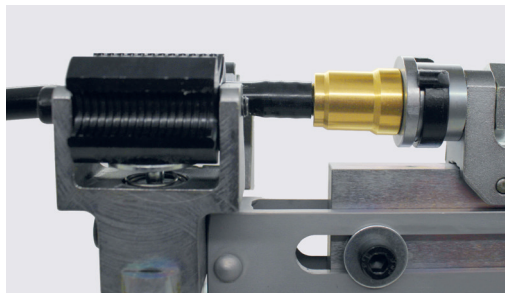
1. Choose the appropriate tool insert for the fitting and plug it on the tool.
2. Choose the right clamping fixture for your tube size. Position and clamp the tube.
3. Slide the fitting, with the S9000 tube interface end on to the insert. The barb end directs towards the clamped tube (Picture 1).



4. Slowly close the tool until the barb end of the fitting touches the tube.
5. Make sure barb and tube bore are well centered before pressing the barb end into the tube (Picture 2).



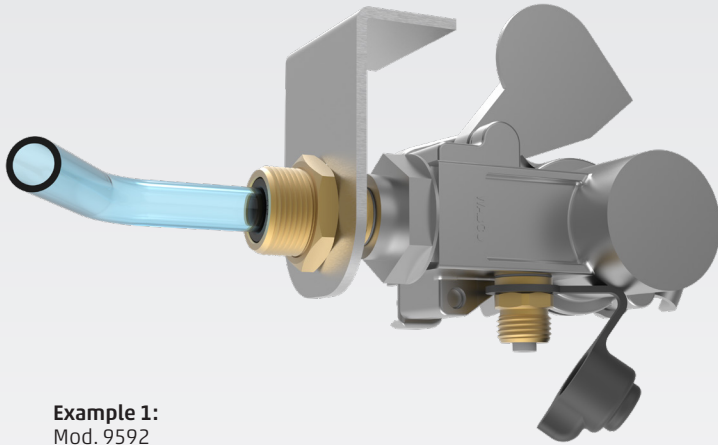
6. Press the fitting into the tube down till the tube end reaches the tube stop of the fitting (Picture 3).



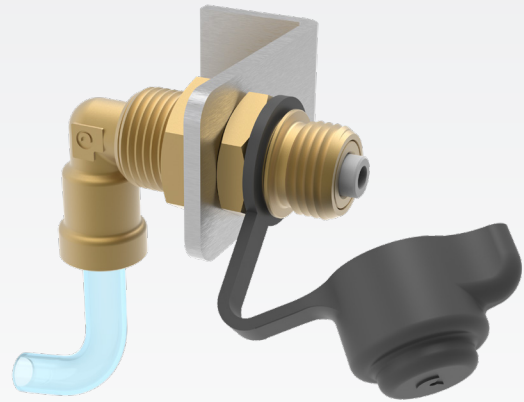
Note: For detailed information, please refer to the operating manual of the the tool set you are using, as this is the binding document and approved by the manufacturer; Make sure you are using a tube compatible with barb fitting technology, and do not use any other process supports (e.g. lubes or temperature treatment) to reduce the needed press in forces during the fitting assembly.

Application examples

SERIES 9000



Example 1:
Mod. 9592
Bulkhead connector for mounting
of a gladhand on a bracket



Example 2:
Mod. 9555
Plug-In elbow connector
on backside of a test point panel



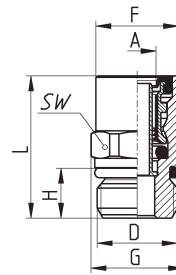
Example 3:
Mod. 9919
Bulkhead swivel connector
with t-adaptor, testpoint
and straight connector



Example 4:
Mod. D2593
Bulkhead reducer with straight connector
for external drain valve position

Straight connectors

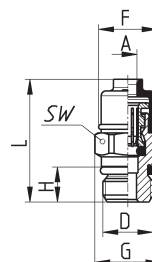
Straight fittings Mod. 9512



CHARACTERISTICS									
Mod.	A	D	F	G	H	L	SW	Weight (g)	Pack. (pcs)
9512 6-M10X1	6x1	M10X1	13,8	15	7	27,5	14	17,5	10
9512 6-M12X1,5R	6x1	M12X1,5	13,8	15	10	27,5	14	17,5	10
9512 6-M14X1,5R	6x1	M14X1,5	13,8	15	10	26,5	14	19,5	10
9512 6-M16X1,5R	6x1	M16X1,5	13,8	17	10	19,5	14	17,5	10
9512 6-M22X1,5R	6x1	M22X1,5	14,5	25	10	21	17	41,5	10
9512 8-M10X1	8x1	M10X1	16,5	18,5	7	30	17	26,5	10
9512 8-M12X1,5R	8x1	M12X1,5	16,5	18,5	10	32	17	28,5	10
9512 8-M14X1,5R	8x1	M14X1,5	16,5	18,5	10	29	17	26	10
9512 8-M16X1,5R	8x1	M16X1,5	16,5	18,5	10	28,5	17	29,5	10
9512 8-M22X1,5R	8x1	M22X1,5	16,5	23	10	21	19	39,5	10
9512 10/7-M12X1,5R	10x1,5	M12X1,5	17,8	19,5	10	33,5	18	26,5	10
9512 10/7-M16X1,5R	10x1,5	M16X1,5	17,8	19,5	10	29,5	18	29	10
9512 10/7-M22X1,5R	10x1,5	M22X1,5	18,5	23	10	22,5	19	37	10
9512 10/7,5-M12X1,5R	10x1,25	M12X1,5	17,8	19,5	10	33,5	18	26,5	10
9512 10/7,5-M16X1,5R	10x1,25	M16X1,5	17,8	19,5	10	29,5	18	29	10
9512 10/7,5-M22X1,5R	10x1,25	M22X1,5	18,5	23	10	22,5	19	37	10
9512 10-M12X1,5R	10x1	M12X1,5	17,8	19,5	10	33,5	18	26,5	10
9512 10-M16X1,5R	10x1	M16X1,5	17,8	19,5	10	29,5	18	29	10
9512 10-M22X1,5R	10x1	M22X1,5	18,5	23	10	22,5	19	37	10
9512 12-M12X1,5R	12x1,5	M12X1,5	19,8	21,5	10	35,5	20	34	10
9512 12-M14X1,5R	12x1,5	M14X1,5	19,8	21,5	10	35	20	35,5	10
9512 12-M16X1,5R	12x1,5	M16X1,5	19,8	21,5	10	34	20	37	10
9512 12-M22X1,5R	12x1,5	M22X1,5	20,5	24	10	23	22	37	10
9512 15-M16X1,5R	15x1,5	M16X1,5	23,8	26,5	10	39	24	53,5	10
9512 15-M22X1,5R	15x1,5	M22X1,5	23,8	26,5	10	32	24	50,5	10
9512 16/12-M16X1,5R	16x2	M16X1,5	25	30	10	42,5	27	75	10
9512 16/12-M22X1,5R	16x2	M22X1,5	25	30	10	35	27	68,5	10
9512 18-M22X1,5R	18x2	M22X1,5	26,8	30	10	40	27	68	10

Straight fittings Mod. D6512

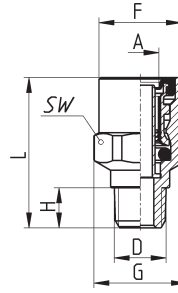
Supplied without any insert



CHARACTERISTICS									
Mod.	A	D	F	G	H	L	SW	Weight (g)	Pack. (pcs)
D6512 4-M10X1	4x1	M10X1	11,7	13,2	7	24,5	12	9	10

Products designed for industrial applications. General terms and conditions for sale are available on www.camozzi.com. This document contains a brief description of the products offered by Camozzi Automation at time of publication. For more complete and up to date information about the Camozzi Automation product range, please refer to our online catalogue at <http://catalogue.camozzi.com/>.

Straight fittings Mod. 9510

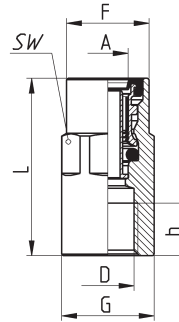


CHARACTERISTICS

Mod.	A	D	F	G	H	L	SW	Weight (g)	Pack. (pcs)
9510 6-02	6x1	1/8 NPTF	13,8	15	8	24,5	14	16	10
9510 05-02	8x1	1/8 NPTF	16,5	18,5	8	30	17	27	10

SERIES 9000

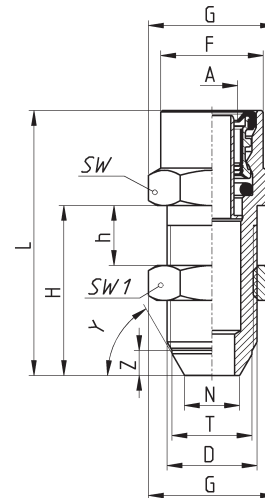
Straight fittings with female thread Mod. 9463



CHARACTERISTICS

Mod.	A	D	F	G	h	L	SW	Weight (g)	Pack. (pcs)
9463 6-M12X1,5	6x1	M12X1,5	13,8	17	11	34	15	34	10
9463 6-M16X1,5	6x1	M16X1,5	15,3	21	10,5	34	19	51	10
9463 8-M10X1	8x1	M10X1	16,5	18,5	9	33	17	46	10
9463 8-M12X1,5	8x1	M12X1,5	16,5	18,5	10,5	35,5	17	51	10
9463 8-M16X1,5	8x1	M16X1,5	16,5	21	10,5	35,5	17	51	10

Bulkhead connectors Mod. 9590



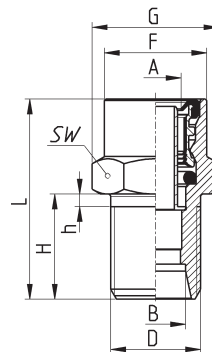
CHARACTERISTICS

Mod.	A	D	F	G	H	h	L	N	T	Y	Z	SW	SW1	Weight (g)	Pack. (pcs)
9590 8-M18X1,5	8x1	M18X1,5	-	25,5	50	10	55,5	10,8	15,7	53	4	22	22	99,5	10
9590 12-M18X1,5	12x1,5	M18X1,5	20,5	25,5	34	4	53	11	16	60	5	22	22	83	10

Bulkhead connectors with 24° cone Mod. 9590



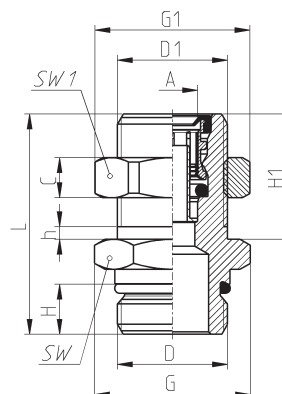
Supplied without nut;
Combine with D1593



CHARACTERISTICS												
Mod.	A	B	D	F	G	H	h	L	SW	Weight (g)	Pack. (pcs)	
9590 6-M14x1,5	6x1	8	M14X1,5	14,5	20	21	2,5	36	17	36	10	
9590 8-M14x1,5	8x1	8	M14X1,5	16,5	20	21	2,5	43,5	17	46	10	
9590 8-M16x1,5	8x1	10	M16X1,5	16,5	22	21	2,5	37	19	44	10	
9590 12-M18x1,5-S06	12x1,5	12	M18X1,5	20,5	25,5	21	2,5	40	22	56	10	

Bulkhead connectors Mod. 9592

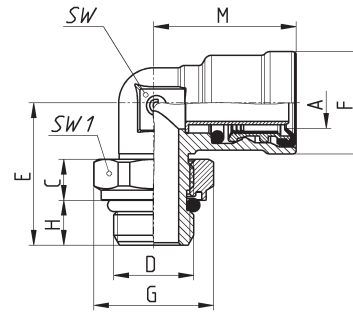
New



CHARACTERISTICS													
Mod.	A	D	D1	C	G	G1	L	H	h	SW	SW1	Weight (g)	Pack. (pcs)
9592 8-M20X1,5-M16X1,5R	8x1	M16X1,5	M20X1,5	5	-	-	41	10	2,5	22	24	83	10
9592 10/7-M22X1,5-M22X1,5R	10x1,5	M22X1,5	M22X1,5	8	-	31	44	10	2,5	27	28	120	10
9592 12-M24X1,5-M16X1,5R	12x1,5	M16X1,5	M24X1,5	6	-	-	41	10	2,5	28	27	95	10

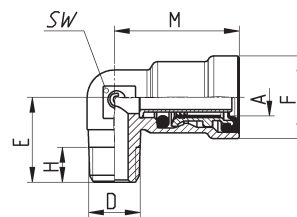
Shaped non-swivel connectors

Elbow fittings Mod. 9502



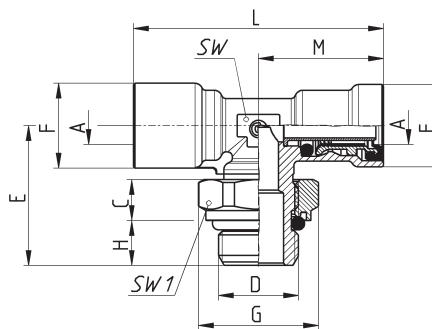
CHARACTERISTICS													
Mod.	A	C	D	E	F	G	H	M	SW	SW1	Weight (g)	Pack. (pcs)	
9502 6-M10X1R	6x1	6	M10X1	22	14,5	16	7*	22,5	9	14	25	10	
9502 6-M12X1,5R	6x1	8,2	M12X1,5	25	14,5	19	9	22,5	9	17	34	10	
9502 6-M16X1,5R	6x1	8,2	M16X1,5	26	14,5	24	9	23	11	22	46,5	10	
9502 6-M22X1,5R	6x1	8,2	M22X1,5	29	14,5	30	9	23	11	27	60	10	
9502 8-M10X1R	8x1	6	M10X1	23	16,5	16	7*	25	11	14	30,5	10	
9502 8-M12X1,5R	8x1	8,2	M12X1,5	26	16,5	19	9	25	11	17	39,5	10	
9502 8-M14X1,5R	8x1	8,2	M14X1,5	26	16,5	21	9	25	11	19	40	10	
9502 8-M16X1,5R	8x1	8,2	M16X1,5	26	16,5	24	9	25	11	22	45,5	10	
9502 8-M22X1,5R	8x1	8,2	M22X1,5	29	16,5	30	9	25	11	27	60	10	
9502 8-1/8R	8x1	6	G1/8	23	16,5	16	7*	25	11	14	30,5	10	
9502 10/7-M12X1,5R	10x1,5	8,2	M12X1,5	27	18,5	19	9	27	13	17	48	10	
9502 10/7-M16X1,5R	10x1,5	8,2	M16X1,5	27,5	18,5	24	9	27	13	22	55,5	10	
9502 10/7-M22X1,5R	10x1,5	8,2	M22X1,5	29	18,5	30	9	27	13	27	69,3	10	
9502 10/7,5-M12X1,5R	10x1,25	8,2	M12X1,5	27	18,5	19	9	27	13	17	48	10	
9502 10/7,5-M16X1,5R	10x1,25	8,2	M16X1,5	27,5	18,5	24	9	27	13	22	55,5	10	
9502 10/7,5-M22X1,5R	10x1,25	8,2	M22X1,5	29	18,5	30	9	27	13	27	69,3	10	
9502 10-M12X1,5R	10x1	8,2	M12X1,5	27	18,5	19	9	27	13	17	47	10	
9502 10-M16X1,5R	10x1	8,2	M16X1,5	27,5	18,5	24	9	27	13	22	54	10	
9502 10-M22X1,5R	10x1	8,2	M22X1,5	29	18,5	30	9	27	13	27	68	10	
9502 12-M12X1,5R	12x1,5	8,2	M12X1,5	28,5	20,5	19	9	28,5	15	17	55,5	10	
9502 12-M16X1,5R	12x1,5	8,2	M16X1,5	28,5	20,5	24	9	28,5	15	22	59,5	10	
9502 12-M22X1,5R	12x1,5	8,2	M22X1,5	30	20,5	30	9	28,5	15	27	72,5	10	
9502 15-M16X1,5R	15x1,5	8,2	M16X1,5	31,5	24,5	24	9	34	18	22	91	10	
9502 15-M22X1,5R	15x1,5	8,2	M22X1,5	34	24,5	30	9	34	18	27	105	10	
9502 16/12-M16X1,5R	16x2	8,2	M16X1,5	33	25	24	9	35,5	21	22	114	10	
9502 16/12-M22X1,5R	16x2	8,2	M22X1,5	33	25	30	9	35,5	21	27	117,5	10	
9502 18-M22X1,5R	18x2	8,2	M22X1,5	33	27,5	30	9	35,5	21	27	115	10	

Elbow fittings Mod. 9500



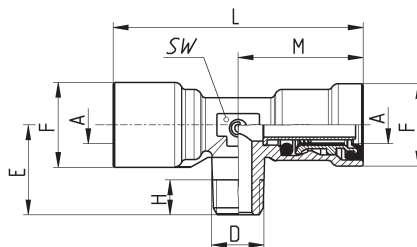
CHARACTERISTICS										
Mod.	A	D	E	F	H (min)	M	SW	Weight (g)	Pack. (pcs)	
9500 6-02	6x1	1/8 NPTF	17,5	14,5	8,5	21,5	9	18	10	
9500 05-02	8x1	1/8 NPTF	17	16,5	7	25	11	23	10	
9500 12-06	12x1,5	3/8 NPTF	24,5	20,5	10,5	28,5	15	46	10	

Branch Tee fittings Mod. 9412



CHARACTERISTICS													
Mod.	A	C	D	E	F	G	H	L	M	SW	SW1	Weight (g)	Pack. (pcs)
9412 6-M10X1R	6x1	6	M10X1	23	14,5	16	7	45	22,5	9	14	38	10
9412 6-M12X1,5R	6x1	8,2	M12X1,5	27,5	14,5	19	9	46	23	11	17	57	10
9412 6-M16X1,5R	6x1	8,2	M16X1,5	28	14,5	24	9	46	23	11	22	64,5	10
9412 6-M22X1,5R	6x1	8,2	M22X1,5	32	14,5	30	9	49	24,5	15	27	87	10
9412 8-M12X1,5R	8x1	8,2	M12X1,5	27,5	16,5	19	9	50	25	11	17	59,5	10
9412 8-M16X1,5R	8x1	8,2	M16X1,5	28	17	24	9	50	25	11	22	67	10
9412 8-M22X1,5R	8x1	8,2	M22X1,5	32	16,5	30	9	53	26,5	15	27	95,5	10
9412 10/7-M12X1,5R	10x1,5	8,2	M12X1,5	29	18,5	19	9	55	27,5	15	17	86	10
9412 10/7-M16X1,5R	10x1,5	8,2	M16X1,5	29	18,5	24	9	55	27,5	15	22	91	10
9412 10/7-M22X1,5R	10x1,5	8,2	M22X1,5	32	18,5	30	9	55	27,5	15	27	103	10
9412 10-M12X1,5R	10x1	8,2	M12X1,5	29	18,5	19	9	55	27,5	15	17	83	10
9412 10-M16X1,5R	10x1	8,2	M16X1,5	29	18,5	24	9	55	27,5	15	22	88	10
9412 10-M22X1,5R	10x1	8,2	M22X1,5	32	18,5	30	9	55	27,5	15	27	100,5	10
9412 12-M12X1,5R	12x1,5	8,2	M12X1,5	29	20,5	19	9	57	28,5	15	17	77	10
9412 12-M16X1,5R	12x1,5	8,2	M16X1,5	29	20,5	24	9	57	28,5	15	22	83	10
9412 12-M22X1,5R	12x1,5	8,2	M22X1,5	32	20,5	30	9	57	28,5	15	27	95,5	10
9412 15-M16X1,5R	15x1,5	8,2	M16X1,5	33,5	24,5	24	9	68	34	18	22	129,5	10
9412 15-M22X1,5R	15x1,5	8,2	M22X1,5	34	24,5	30	9	68	34	18	27	140,5	10

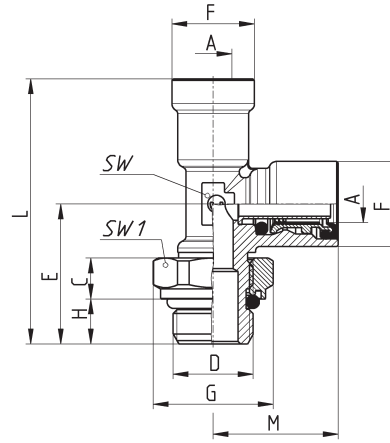
Branch Tee fittings Mod. 9410



CHARACTERISTICS										
Mod.	A	D	E	F	H	L	M	SW1	Weight (g)	Pack. (pcs)
9410 6-02	6x1	1/8 NPTF	17,5	14,5	7	45	22,5	9	30,5	10
9410 05-02	8x1	1/8 NPTF	18	17	7	50	25	11	42	10

Products designed for industrial applications. General terms and conditions for sale are available on www.camozzi.com. This document contains a brief description of the products offered by Camozzi Automation at time of publication. For more complete and up to date information about the Camozzi Automation product range, please refer to our online catalogue at <http://catalogue.camozzi.com/>.

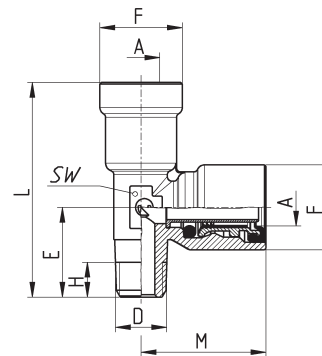
Run fittings Mod. 9422



CHARACTERISTICS

Mod.	A	C	D	E	F	G	H	L	M	SW	SW1	Weight (g)	Pack. (pcs)
9422 6-M10X1R	6x1	6	M10X1	23	14,5	16	7	45,5	22,5	9	14	37,5	10
9422 6-M12X1,5R	6x1	8,2	M12X1,5	27,5	14,5	19	9	50,5	23	11	17	57	10
9422 6-M16X1,5R	6x1	8,2	M16X1,5	28	14,5	24	9	51	23	11	22	63,5	10
9422 8-M12X1,5R	8x1	8,2	M12X1,5	27,5	17	19	9	52,5	25	11	17	59,5	10
9422 8-M16X1,5R	8x1	8,2	M16X1,5	28	17	24	9	53	25	11	22	67	10
9422 8-M22X1,5R	8x1	8,2	M22X1,5	32	16,5	30	9	58,5	26,5	15	27	95	10
9422 10-M16X1,5R	10x1	8,2	M16X1,5	29	18,5	24	9	56,5	27,5	15	22	88	10
9422 10-M22X1,5R	10x1	8,2	M22X1,5	32	18,5	30	9	59,5	27,5	15	27	100	10
9422 12-M16X1,5R	12x1,5	8,2	M16X1,5	29	20,5	24	9	57,5	28,5	15	22	83	10
9422 12-M22X1,5R	12x1,5	8,2	M22X1,5	32	20,5	30	9	60,5	28,5	15	27	99,5	10

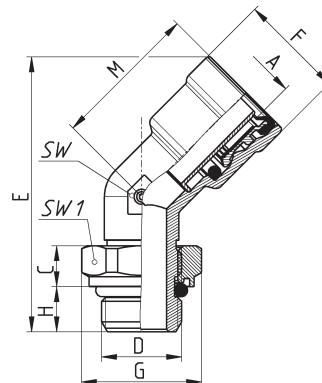
Run Tee fittings Mod. 9420



CHARACTERISTICS

Mod.	A	D	E	F	H	L	M	SW	Weight (g)	Pack. (pcs)
9420 6-02	6x1	1/8 NPTF	17,5	14,5	7	40	22,5	9	30	10
9420 05-02	8x1	1/8 NPTF	18	17	7	43	25	11	42	10

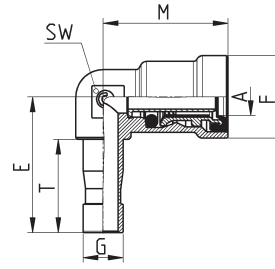
135° Elbow fittings Mod. 9102



CHARACTERISTICS

Mod.	A	C	D	E	F	G	H	M	SW	SW1	Weight (g)	Pack. (pcs)
9102 12-M16X1,5R	12x1,5	8,2	M16X1,5	54,9	21,3	24	9	29,5	15	22	64	10

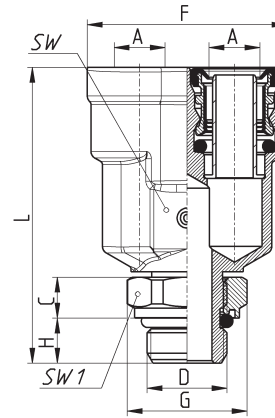
Plug-In elbow connectors Mod. 9555



CHARACTERISTICS

Mod.	A	G	T	E	F	M	SW	Weight (g)	Pack. (pcs)
9555 6-6	6x1	6	16,9	25	14,5	22,5	9	17	10
9555 8-8	8x1	8	18,7	27,2	16,5	25	11	23	10
9555 12-12	12x1,5	12	20,7	32,2	21	29,5	15	45	10

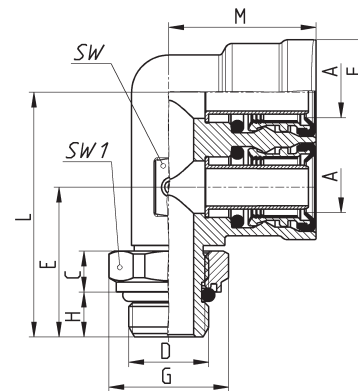
Y fittings Mod. 9450



CHARACTERISTICS

Mod.	A	C	D	F	G	H	L	SW	SW1	Weight (g)	Pack. (pcs)
9450 8-M16X1,5R	8x1	8,2	M16X1,5	31,5	24	9	49,3	14	22	71,5	10
9450 12-M16X1,5R	12x1,5	8,2	M16X1,5	40	24	9	59,2	20	22	130,5	10
9450 12-M22X1,5R	12x1,5	8,2	M22X1,5	40	30	9	59,2	20	27	153	10

Elbow fittings Mod. 9402



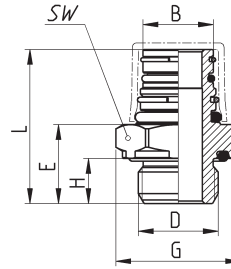
CHARACTERISTICS

Mod.	A	C	D	E	F	G	H	L	M	SW	SW1	Weight (g)	Pack. (pcs)
9402 8-M16X1,5R	8x1	8,2	M16X1,5	30	21	24	9	49	27,5	15	22	130	10
9402 8-M22X1,5R	8x1	8,2	M22X1,5	30	21	30	9	49	27,2	15	27	138	10
9402 12-M16X1,5R	12x1,5	8,2	M22X1,5	30	21	24	9	49	29,5	15	27	114,5	10
9402 12-M22X1,5R	12x1,5	8,2	M22X1,5	30	21	30	9	49	29,5	15	27	114,5	10

Products designed for industrial applications. General terms and conditions for sale are available on www.camozzi.com.
This document contains a brief description of the products offered by Camozzi Automation at time of publication.
For more complete and up to date information about the Camozzi Automation product range, please refer to our online catalogue at <http://catalogue.camozzi.com/>.

Shaped swivel connectors

Swivel studs Mod. D2912



CHARACTERISTICS									
Mod.	B	D	E	G	H	L	SW	Weight (g)	Pack. (pcs)
D2912 C1-M10X1B	C1	M10X1	14,3	18,5	8	29,3	17	22	10
D2912 C1-M12X1,5B	C1	M12X1,5	14,5	20	9	29,5	18	22,5	10
D2912 C1-M14X1,5B	C1	M14X1,5	14,5	22	9	29,5	20	25	10
D2912 C1-M16X1,5B/1*	C1	M16X1,5	15,8	25	9	30,8	22	34	10
D2912 C1-M22X1,5B/1*	C1	M22X1,5	16,3	32	9	31,3	28	48	10
D2912 C1-1/4	C1	G1/4	14,5	18,5	7	29,5	17	26,5	10

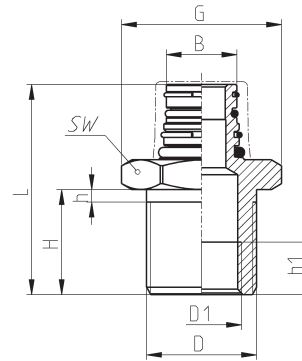
* usable with Mod. 9707 anti-rotation ring; compare SW.

Bulkhead swivel studs Mod. D2993

New



Supplied without nut;
Combine with D1593



CHARACTERISTICS										
Mod.	B	D	D1	E	G	H	L	SW	Weight (g)	Pack. (pcs)
D2993 C1-M16X1,5-M22X1,5/1*	C1	M22X1,5	M16X1,5	32	21	2,5	10,5	42	75	10

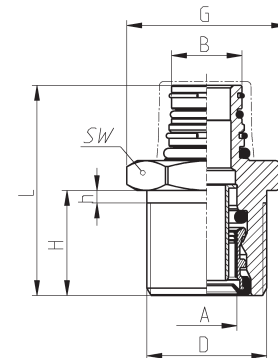
* usable with Mod. 9707 anti-rotation ring; compare SW.

Bulkhead swivel connectors Mod. 9919

New



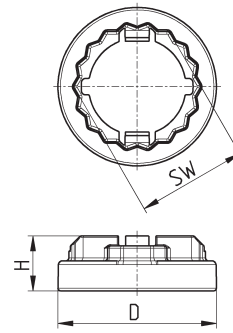
Supplied without nut;
Combine with D1593



CHARACTERISTICS											
Mod.	A	B	D	G	H	h	h1	L	SW	Weight (g)	Pack. (pcs)
9919 C1-8-M20X1,5/1*	8x1	C1	M20X1,5	25	21	2,5	10,5	42	22	71	10
9919 C1-12-M24X1,5/1*	12x1,5	C1	M24X1,5	32	21	2,5	10,5	42	28	90	10

* usable with Mod. 9707 anti-rotation ring; compare SW.

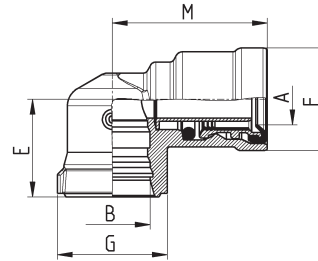
Anti-rotation ring Mod. 9707



CHARACTERISTICS					
Mod.	H	D	SW	Weight (g)	Pack. (pcs)
9707 22-C1	11	31,7	22	4	10
9707 24-C1	11	31,7	24	4	10
9707 28-C1	11	35,7	28	5	10

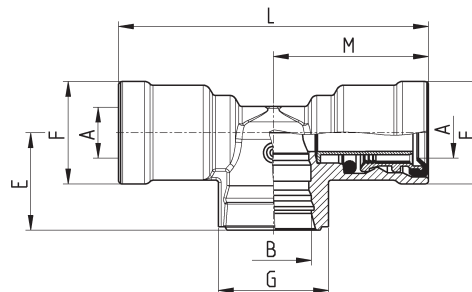
Usable with Mod. D2912, D2993, 9919; compare SW.

Swivel Elbow fittings Mod. 9520



CHARACTERISTICS								
Mod.	A	B	E	F	G	M	Weight (g)	Pack. (pcs)
9520 6-C1	6x1	C1	19,5	14,5	22	26	32	10
9520 8-C1	8x1	C1	19,5	16,5	22	28	32	10
9520 10/7-C1	10x1,5	C1	19,5	18,5	22	30	42	10
9520 10/7,5-C1	10x1,25	C1	19,5	18,5	22	30	42	10
9520 10-C1	10x1	C1	19,5	18,5	22	30	42	10
9520 12-C1	12x1,5	C1	19,5	20,5	22	31	42	10
9520 15-C1	15x1,5	C1	21,5	24	22	34	62	10
9520 16/12-C1	16x2	C1	21,5	24	22	34	62	10

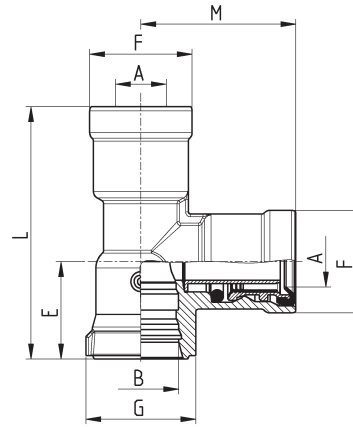
Swivel branch Tee fittings Mod. 9430



CHARACTERISTICS									
Mod.	A	B	E	F	G	L	M	Weight (g)	Pack. (pcs)
9430 6-C1	6x1	C1	19,5	14,5	22	4	2	46	10
9430 8-C1	8x1	C1	19,5	16,5	22	56	28	46	10
9430 10/7-C1	10x1,5	C1	19,5	18,5	22	60	30	64	10
9430 10-C1	10x1	C1	19,5	18,5	22	60	30	64	10
9430 12-C1	12x1,5	C1	19,5	20,5	22	62	31	64	10
9430 15-C1	15x1,5	C1	21,5	24	22	68	34	101	10

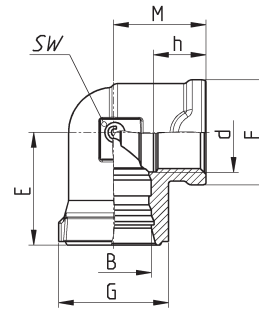
Products designed for industrial applications. General terms and conditions for sale are available on www.camozzi.com. This document contains a brief description of the products offered by Camozzi Automation at time of publication. For more complete and up to date information about the Camozzi Automation product range, please refer to our online catalogue at <http://catalogue.camozzi.com/>.

Swivel run Tee fittings Mod. 9440



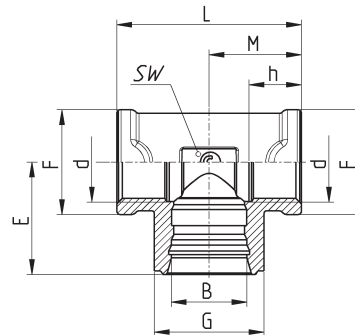
CHARACTERISTICS									
Mod.	A	B	E	F	G	L	M	Weight (g)	Pack. (pcs)
9440 6-C1	6x1	C1	19,5	14,5	22	45,5	26	47	10
9440 8-C1	8x1	C1	19,5	16,5	22	47,5	28	47	10
9440 10/7-C1	10x1,5	C1	19,5	18,5	22	49,5	30	67	10
9440 10-C1	10x1	C1	19,5	18,5	22	49,5	30	67	10
9440 12-C1	12x1,5	C1	19,5	20,5	22	50,5	31	67	10
9440 15-C1	15x1,5	C1	21,5	24	22	55,5	34	100	10

Swivel Elbow adaptors Mod. D2220



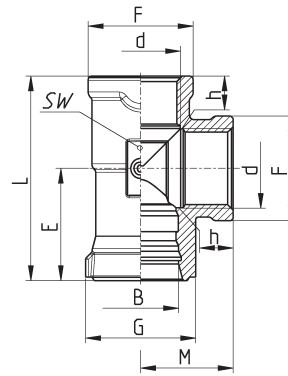
CHARACTERISTICS										
Mod.	d	B	E	F	G	h (min)	M	SW	Weight (g)	Pack. (pcs)
D2220 M12X1,5-C1	M12X1,5	C1	22,5	21	22	10,5	18,5	20	50	10
D2220 M16X1,5-C1	M16X1,5	C1	22,5	21	22	10,5	18,5	20	39	10

Swivel branch Tee adaptors Mod. D2260



CHARACTERISTICS											
Mod.	d	B	E	F	G	h (min)	L	M	SW	Weight (g)	Pack. (pcs)
D2260 M12X1,5-C1	M12X1,5	C1	22,5	21	22	10,5	37	18,5	20	73	10
D2260 M16X1,5-C1	M16X1,5	C1	22,5	21	22	10,5	37	18,5	20	52	10

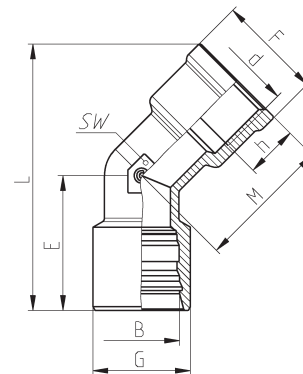
Swivel run Tee adaptors Mod. D2270



CHARACTERISTICS											
Mod.	d	B	E	F	G	h (min)	L	M	SW	Weight (g)	Pack. (pcs)
D2270 M12X1,5-C1	M12X1,5	C1	22,5	21	22	10,5	41	18,5	20	73	10
D2270 M16X1,5-C1	M16X1,5	C1	22,5	21	22	10,5	41	18,5	20	52	10

Swivel 135° adaptors Mod. D2210

New

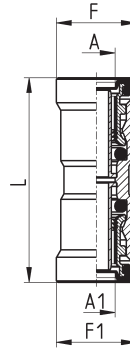


CHARACTERISTICS											
Mod.	d	B	E	F	G	h (min)	L	M	SW	Weight (g)	Pack. (pcs)
D2210 M16X1,5-C1	M16X1,5	C1	28	21	19,5	10,5	53	28	20	50	10

Not compatible with anti rotation ring Mod. 9707

Inline connectors

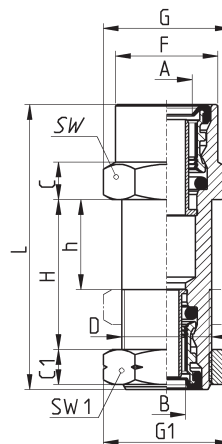
■ Straight connectors Mod. 9580



CHARACTERISTICS

Mod.	A	A1	F	F1	L	Weight (g)	Pack. (pcs)
9580 6	6x1	6x1	14	14	37,5	21	10
9580 8	8x1	8x1	16	16	41	27	10
9580 10/7	10x1,5	10x1,5	18	18	44	34	10
9580 10/7,5	10x1,25	10x1,25	18	18	44	34	10
9580 10	10x1	10x1	18	18	44	33	10
9580 12	12x1,5	12x1,5	20	20	45,5	43	10
9580 12-8	12x1,5	8x1	20	16	44	37	10
9580 15	15x1,5	15x1,5	24	24	52	87	10
9580 16/12	16x2	16x2	25	25	58	100	10
9580 18	18x2	18x2	27	27	57	109	10

■ Bulkhead connectors Mod. 9592

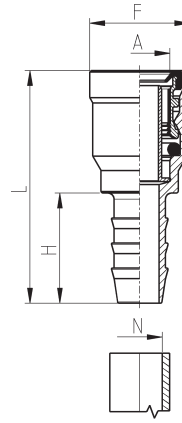


CHARACTERISTICS

Mod.	A	B	C	C1	D	F	G	G1	H	h	L	SW	SW1	Weight (g)	Pack. (pcs)
9592 6-6-M18X1,5	6X1	6X1	6	7	M18X1,5	14,5	23	25,5	9	2,5	37,5	20	22	64	10
9592 8-8-M18X1,5	8X1	8X1	6	7	M18X1,5	16,5	25,5	25,5	9	2,5	41	22	22	64	10
9592 8-8-M20X1,5	8X1	8X1	6	5	M20X1,5	18,5	25,5	27,5	11	2,5	41	22	24	82	10
9592 12-8-M18X1,5	12X1,5	8/6	6	7	M18X1,5	20,5	25,5	25,5	9	2,5	44	22	22	79	10
9592 12-12-M24X1,5	12X1,5	12X1,5	7,5	6	M24X1,5	20,5	31	32,5	10	2,5	46	27	28	113	10
9592 15-15-M28X1,5	15X1,5	15X1,5	7	6	M28X1,5	25	34,5	37	13	2,5	52	30	32	158	10

Barb connectors Mod. 9851

New

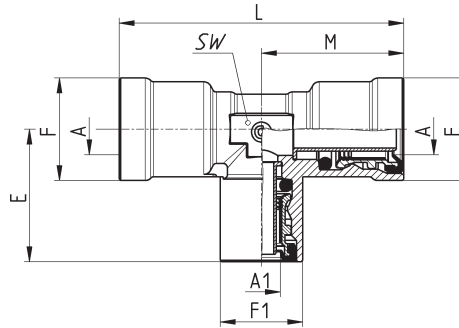


CHARACTERISTICS

Mod.	A	N	F	H	L	Weight (g)	Pack. (pcs)
9851 8-6	8x1	6	16	16	38	17,5	10
9851 12-9	12x1,5	9	20	20	46,5	30	10

Barb profile according to DIN 73377 | 9851 8-6 allows to connect 8x1 to 9x1,5 tubing

Tee connectors Mod. 9540

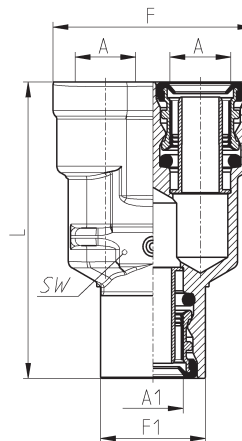


CHARACTERISTICS

Mod.	A	A1	E	F	F1	L	M	SW	Weight (g)	Pack. (pcs)
9540 6	6x1	6x1	22,5	14,5	14,5	45	22,5	9	35,5	10
9540 8	8x1	8x1	25	17	17	50	25	11	53	10
9540 10/7	10x1,5	10x1,5	27,5	18,5	18,5	55	27,5	15	84	10
9540 10	10x1	10x1	27,5	18,5	18,5	55	27,5	15	81	10
9540 12	12x1,5	12x1,5	28,5	20,5	20,5	57	28,5	15	73,5	10
9540 15	15x1,5	15x1,5	34	24,5	24,5	68	34	18	129	10
9540 16/12	16x2	16x2	37	25,5	25,5	74	37	19	138	10
9540 8-8-6	8x1	6x1	23	17	14,5	50	25	11	50	10
9540 12-12-8	12x1,5	8x1	26,5	20,5	16,5	57	28,5	15	72	10

Y connectors Mod. 9560

New



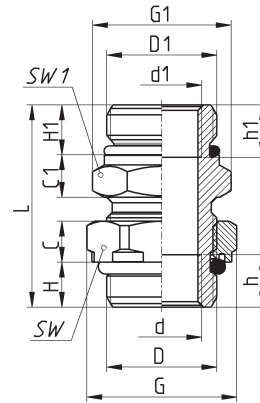
CHARACTERISTICS

Mod.	A	A1	F	F1	L	SW	Weight (g)	Pack. (pcs)
9560 8	8x1	8x1	31,5	16,5	48,3	14	61	10
9560 12	12x1,5	12x1,5	40	21	59,2	14	130	10

Products designed for industrial applications. General terms and conditions for sale are available on www.camozzi.com. This document contains a brief description of the products offered by Camozzi Automation at time of publication. For more complete and up to date information about the Camozzi Automation product range, please refer to our online catalogue at <http://catalogue.camozzi.com/>.

Adaptors & Valves

Bulkhead adaptors Mod. D2502 and D2512



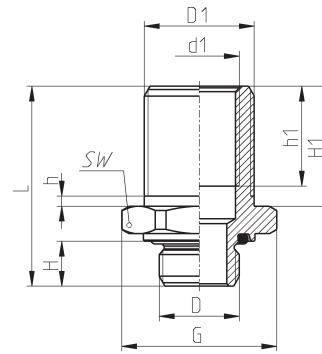
CHARACTERISTICS

Mod.	D	D1	d	d1	C	C1	G	G1	H	H1	h	h1	L	SW	SW1	Weight (g)	Pack. (pcs)
D2502 M22X1,5R-M22X1,5R-M16X1,5-L=39	M22X1,5	M22X1,5	M16X1,5	M16X1,5	8,2	8,5	30	28	9	10	10,5	10,5	40,5	27	24	79,5	10
D2502 M22X1,5R-M22X1,5R	M22X1,5	M22X1,5	-	-	8,2	8,5	30	28	9	10	-	-	40,5	27	24	84	10
D2512 M22X1,5R-M16X1,5R	M22X1,5	M16X1,5	M16X1,5	M10X1	8,2	8,5	30	25,5	9	10	10,5	-	49,5	27	22	88	10

Bulkhead adaptors Mod. D2592

New

Supplied without nut;
Combine with D1593



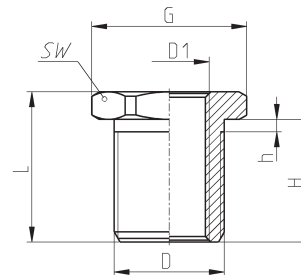
CHARACTERISTICS

Mod.	D	D1	d1	G	H	H1	h	h1	L	SW	Weight (g)	Pack. (pcs)
D2592 M10X1-M16x1,5B-M16X1,5	M16x1,5	M16x1,5	M10x1	24	9	20	2	34,5	34,5	22	43	10
D2592 M16X1,5-M16x1,5B-M22X1,5	M16x1,5	M22x1,5	M16x1,5	31	9	24	2	20	40	28	72	10
D2592 M16X1,5-M22x1,5B-M22X1,5	M22x1,5	M22x1,5	M16x1,5	31	9	24	2	39	39	28	75	10

Bulkhead reducers Mod. D2593

New

Supplied without nut;
Combine with D1593

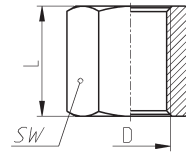


CHARACTERISTICS

Mod.	D	d1	C	G	H	h	L	SW	Weight (g)	Pack. (pcs)
D2593 M12x1,5-M18x1,5	M18x1,5	M12x1,5	7	25	2,5	24,5	2,5	22	45	10
D2593 M16X1,5-M22x1,5	M22x1,5	M16x1,5	8	31	2,5	24,5	2,5	28	72	10
D2593 M22X1,5-M28x1,5	M28x1,5	M22x1,5	6	35	2,5	24,5	2,5	32	80	10

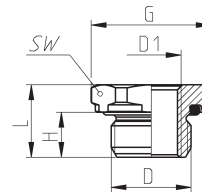
Union Mod. D2543

New



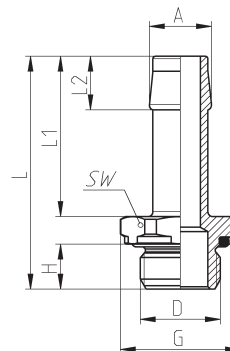
CHARACTERISTICS					
Mod.	D	L	SW	Weight (g)	Pack. (pcs)
D2543 M10X1/1	M10x1	22	18	39	10
D2543 M12X1,5/1	M12x1,5	22	18	35	10
D2543 M16X1,5/1	M16x1,5	22	22	45	10
D2543 M22X1,5/1	M22x1,5	26	28	75	10

Reducer Mod. D2532



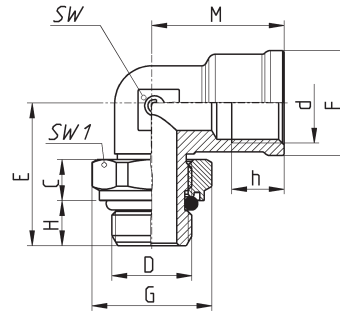
CHARACTERISTICS								
Mod.	D	D1	G	H	L	SW	Weight (g)	Pack. (pcs)
D2532 M12X1,5-M16X1,5B	M16x1,5	M12x1,5	24	9	14,5	22	19,5	10
D2532 M12X1,5-M22X1,5B	M22x1,5	M12x1,5	31	9	15	28	45	10
D2532 M14X1,5-M16X1,5B	M16x1,5	M14x1,5	24	9	14,5	22	19,5	10
D2532 M16X1,5-M22X1,5B	M22x1,5	M16x1,5	31	9	15	28	34	10

Hose adaptors Mod. D2602



CHARACTERISTICS										
Mod.	A	D	G	H	L	L1	L2	SW	Weight (g)	Pack. (pcs)
D2602 10-M16X1,5B	11,3	M16x1,5	24	9	46,5	32	10,2	22	31,5	10
D2602 10-M22X1,5B	11,3	M22x1,5	31	9	47	32	10,2	28	47	10
D2602 11-M16X1,5B	12,4	M16x1,5	24	9	46,5	32	10,7	22	32,5	10
D2602 11-M22X1,5B	12,4	M22x1,5	31	9	47	32	10,7	28	48,5	10
D2602 12-M16X1,5B	13,4	M16x1,5	24	9	46,5	32	10,7	22	34	10
D2602 12-M22X1,5B	13,4	M22x1,5	31	9	47	32	10,7	28	50	10
D2602 13-M16X1,5B	14,3	M16x1,5	24	9	49,5	35	10,2	22	36	10
D2602 13-M22X1,5B	14,3	M22x1,5	31	9	50	35	10,2	28	51,5	10

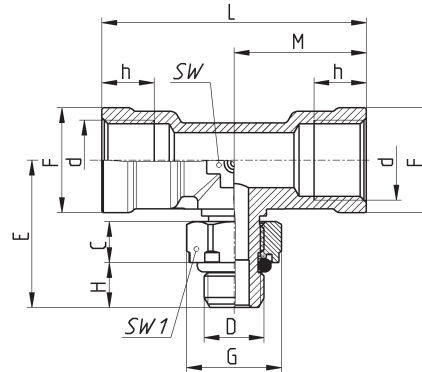
Elbow adaptors Mod. D2022



CHARACTERISTICS

Mod.	d	D	C	E	F	G	H	h	M	SW	SW1	Weight (g)	Pack. (pcs)
D2022 M16X1,5-M16X1,5R	M16X1,5	M16X1,5	8,2	28,5	21	24	9	10,5	26,5	15	22	60,5	10
D2022 M16X1,5-M22X1,5R	M16X1,5	M22X1,5	8,2	30	21	30	9	10,5	26,5	15	27	71	10
D2022 M22X1,5-M22X1,5R	M22X1,5	M22X1,5	8,2	33	27	30	9	11	22	24	27	88	10

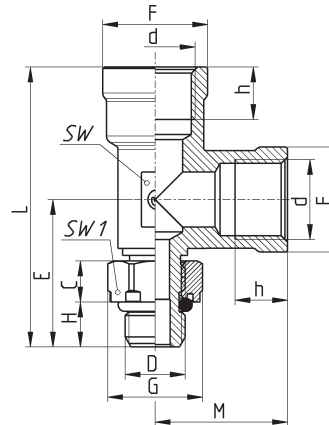
Branch Tee adaptors Mod. D2062



CHARACTERISTICS

Mod.	d	D	C	E	F	G	H	h	L	M	SW	SW1	Weight (g)	Pack. (pcs)
D2062 M16X1,5-M12X1,5R/1	M16X1,5	M12X1,5	8,2	29,5	21	19	9	10,5	53	26,5	15	17	77	10
D2062 M16X1,5-M16X1,5R	M16X1,5	M16X1,5	8,2	30	21	24	9	12,5	37	18,5	20	22	70	10
D2062 M16X1,5-M22X1,5R	M16X1,5	M22X1,5	8,2	32	21	30	9	10,5	37	18,5	20	27	84,5	10
D2062 M22X1,5-M22X1,5R/1	M22X1,5	M22X1,5	8,2	33	27	30	9	11	64	32	20	27	131	10

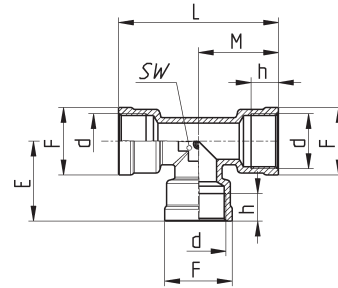
Run Tee adaptors Mod. D2072



CHARACTERISTICS

Mod.	d	D	C	E	F	G	H	h	L	M	SW	SW1	Weight (g)	Pack. (pcs)
D2072 M16X1,5-M12X1,5R/1	M16X1,5	M12X1,5	8,2	30	21	19	9	10,5	48,5	18,5	20	17	70	10
D2072 M16X1,5-M16X1,5R	M16X1,5	M16X1,5	8,2	30	21	24	9	10	48,5	18,5	20	22	70	10
D2072 M16X1,5-M22X1,5R	M16X1,5	M22X1,5	8,2	32	21	30	9	10	50,5	18,5	20	27	82	10
D2072 M22X1,5-M22X1,5R/1	M22X1,5	M22X1,5	8,2	33,5	27	30	9	11	55,5	22	26	27	116	10

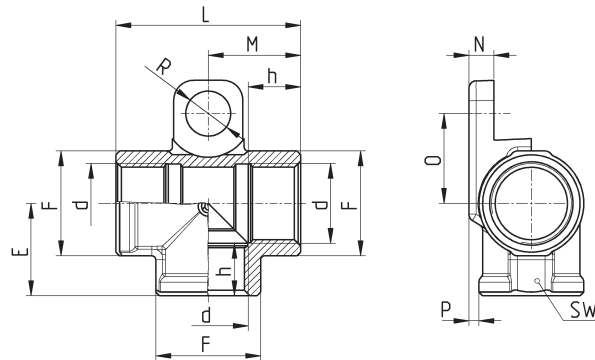
Branch Tee adaptors Mod. D2003



CHARACTERISTICS

Mod.	d	E	h	M	L	SW	Weight (g)	Pack. (pcs)
D2003 M16X1,5	M16X1,5	18,5	10	18,5	37	20	53	10
D2003 M22X1,5/1	M22X1,5	22	11	22	44	26	85	10

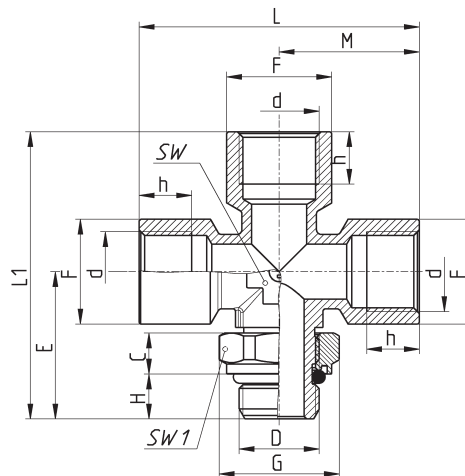
Branch Tee adaptors Mod. D2003...S01



CHARACTERISTICS

Mod.	d	E	G	h	M	L	N	O	P	R	SW	Weight (g)	Pack. (pcs)
D2003 M16X1,5-S01	M16X1,5	18,5	21	10,5	18,5	37	5	18	2	9	21	68	10

Cross adaptors Mod. D2032

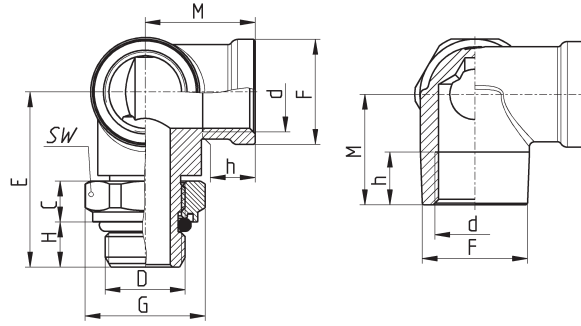


CHARACTERISTICS

Mod.	d	D	C	E	F	G	H	h	L	L1	M	SW	SW1	Weight (g)	Pack. (pcs)
D2032 M16X1,5-M16X1,5R	M16X1,5	M16X1,5	8,2	29,5	21	24	9	10,5	56	57,5	28	16	22	110,5	10
D2032 M16X1,5-M22X1,5R	M16X1,5	M22X1,5	8,2	30	21	30	9	10,5	56	58	28	16	27	137	10

Products designed for industrial applications. General terms and conditions for sale are available on www.camozzi.com.
This document contains a brief description of the products offered by Camozzi Automation at time of publication.
For more complete and up to date information about the Camozzi Automation product range, please refer to our online catalogue at <http://catalogue.camozzi.com/>.

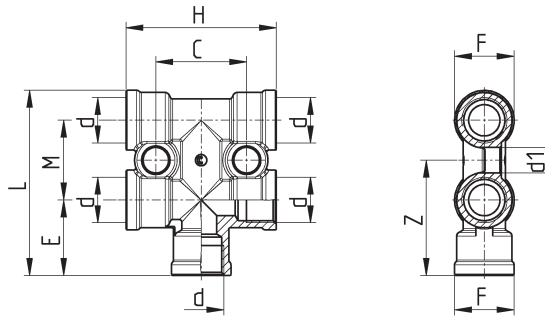
Bilateral Tee adaptors Mod. D2077



CHARACTERISTICS

Mod.	D	d	C	E	F	G	H	h	M	SW	Weight (g)	Pack. (pcs)
D2077 M16X1,5-M16X1,5R	M16X1,5	M16X1,5	8,2	35	21	24	9	10,5	22	22	94,5	10
D2077 M16X1,5-M22X1,5R	M22X1,5	M16X1,5	8,2	35,5	21	30	9	10,5	22	27	98	10

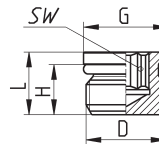
Multiport adaptor Mod. D3043



CHARACTERISTICS

Mod.	d	d1	C	E	M	L	H	G	Z	Weight (g)	Pack. (pcs)
D3043 M16X1,5-2D-M16X1,5-S01	M16X1,5	9	32	26,5	28	65	53	21	40,5	147	10

Plug (inner hex.) Mod. D2612

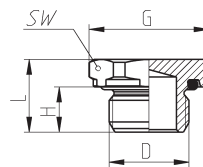


CHARACTERISTICS

Mod.	D	H	L	G	SW	Weight (g)	Pack. (pcs)
D2612 M12X1,5R	M12X1,5	10	12	13	6	6,5	10
D2612 M16X1,5R	M16X1,5	10	12,5	17	8	15	10
D2612 M22X1,5R	M22X1,5	10	13	23	12	26	10

Plug (outer hex.) Mod. D2612

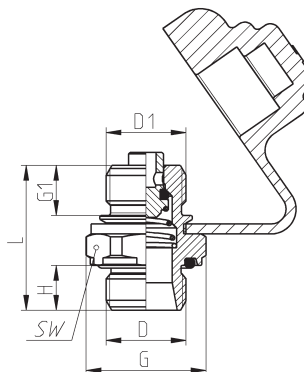
New



CHARACTERISTICS

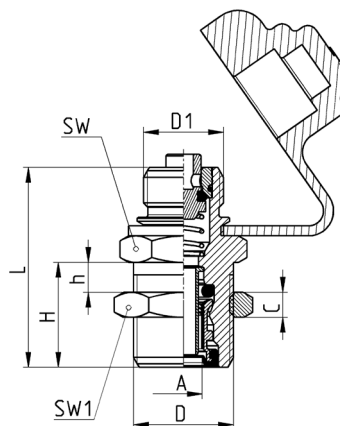
Mod.	D	H	L	G	SW	Weight (g)	Pack. (pcs)
D2612 M10X1,5B	M10X1,5	8	13	18	16	12	10
D2612 M12X1,5B	M12X1,5	9	14,5	20	18	15	10
D2612 M16X1,5B	M16X1,5	9	14,5	24	22	25	10
D2612 M22X1,5B	M22X1,5	9	15	31	28	37	10

Test point valve Mod. VPC2



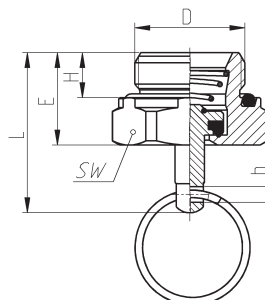
CHARACTERISTICS									
Mod.	D	D1	H	G	G1	L	SW	Weight (g)	Pack. (pcs)
VPC2 M16X1,5B-M16X1,5	M16X1,5	M16X1,5	9	9	10	29	22	43	10
VPC2 M22X1,5B-M16X1,5	M22X1,5	M16X1,5	9	9	10	29	28	60	10

Bulkhead with test point & tube connection Mod. VPC2



CHARACTERISTICS											
Mod.	A	D	D1	C	H	h	L	SW	SW1	Weight (g)	Pack. (pcs)
VPC2 M16X1,5-8-M18X1,5	8X1	M18X1,5	M16X1,5	5,5	21	2,5	40	20	22	61	10
VPC2 M16X1,5-8-M20X1,5	8X1	M20X1,5	M16X1,5	5	21	2,5	40	22	24	71	10

Drain valve Mod. VDC2



CHARACTERISTICS									
Mod.	D	d	E	G	H	L	SW	Weight (g)	Pack. (pcs)
VDC2 M22X1,5B	M22X1,5	3,2	18,5	23	9	32,1	28	29	10
VDC2 M22X1,5B/1	M22X1,5	3,2	18,5	23	9	32,1	28	29	10

/1: drain valve with ring

■ Tyre inflator valve Mod. V604



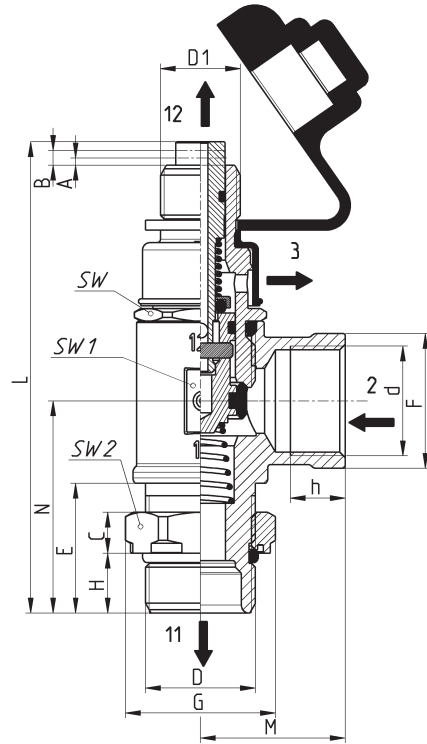
A = rod position for tyre inflation
B = rod position for tank filling through air intake for tyre inflation

2 = energy supply
3 = drain
11, 12 = energy flow

Flow 2 ÷ 11 bar
at 6 bar ΔP 1: 1620 l/min

Flow 2 ÷ 12 bar
at 6 bar with no interruption: 400 l/min

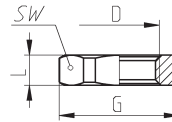
Safety pressure: 10 bar
Q = 100 l/min; 8 bar Q = 0 l/min



CHARACTERISTICS																		
Mod.	C	D	D1	d	E	F	G	H	h	L	M	N	SW	SW1	SW2	Weight (g)	Pack. (pcs)	
V604 M22X1,5R	8,2	M22X1,5	M16X1,5	M22X1,5	26	27	30	12	11	94,4	29	42,5	24	27	27	253	2	

■ Bulkhead nut Mod. D1593

New



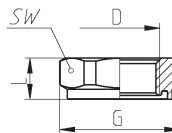
CHARACTERISTICS						
Mod.	D	G	L	SW	Weight (g)	Pack. (pcs)
D1593 M16x1,5	M16x1,5	24	6	22	11	10
D1593 M18x1,5	M18x1,5	-	7	22	11	10
D1593 M20x1,5	M20x1,5	-	5	24	9	10
D1593 M22x1,5	M22x1,5	31	8	28	22	10
D1593 M24x1,5	M24x1,5	-	6	28	13	10
D1593 M28x1,5	M28x1,5	-	6	32	16	10

■ Thread nut Mod. D1593

New



The nut is supplied with NBR O-Ring



CHARACTERISTICS						
Mod.	D	G	L	SW	Weight (g)	Pack. (pcs)
D1593 1/8R/1	G1/8	-	6	14	5	10
D1593 M10x1/1	M10x1	16	6	14	5	10
D1593 M12x1,5R/1	M12x1,5	19	8,2	17	10	10
D1593 M14x1,5R/1	M14x1,5	20	8,2	19	11	10
D1593 M16x1,5R/1	M16x1,5	24	8,2	22	14	10
D1593 M22x1,5R/1	M22x1,5	30	8,2	27	18	10

Accessories

■ Tubes Mod. TRN

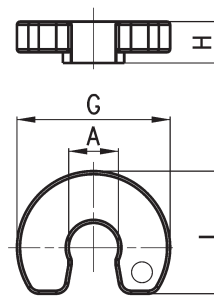


Black tubes in polyamide (PA12)

- According to standards:
- DIN 74324 (except for Mod. TRN 10/7-N)
 - REACH REGULATION (EC N°1907/2006)
 - EUROPEAN DIRECTIVE RoHS n° 2002/95/EC

CHARACTERISTICS						
Mod.	D/d	MAX pressure at 23°C (bar)	Weight (g/m)	Min. curve radius min. (mm)	Operating temperature (°C)	Size (m)
TRN 4/2 NX	4/2	49	9,6	16	-55°C ÷ +100°C	50
TRN 6/4 NX	6x1	29	16	30	-55°C ÷ +100°C	100
TRN 8/6 NX	8x1	21	22,4	40	-55°C ÷ +100°C	100
TRN 10/7-N	10x1,5	23	41,2	58	-40°C ÷ +80°C	50
TRN 10/7,5 N	10x1,25	20	39,4	60	-40°C ÷ +80°C	50
TRN 10/8 NX	10x1	16	28,8	60	-55°C ÷ +100°C	50
TRN 12/9 NX	12x1,5	21	50,4	60	-55°C ÷ +100°C	50
TRN 15/12 NX	15x1,5	16	64,9	90	-55°C ÷ +100°C	50
TRN 16/12 NX	16x2	21	89,7	95	-55°C ÷ +100°C	50
TRN 18/14 NX	18x2	18	102,5	100	-55°C ÷ +100°C	50

■ Release tool Mod. DRK



CHARACTERISTICS						
Mod.	A	G	H	L	Weight (g)	Pack. (pcs)
DRK 6	6	25	6	19	1	10
DRK 8	8	28,5	7	20	1	10
DRK 10	10	30,5	9	22	2	10
DRK 12	12	35	9	23	3	10
DRK 15	15	36	10	27	3	10
DRK 16	16	37	10	27,5	4	10
DRK 18	18	40	12	31	5	10

■ Tube cutting tools Mod. PNZ and PNZP



CHARACTERISTICS	
Mod.	
PNZ-12	For tubes with Ø up to 12 mm
PNZ-25	For tubes with Ø up to 25 mm
PNZP-12	For tubes with Ø up to 12 mm

Products designed for industrial applications. General terms and conditions for sale are available on www.camozzi.com. This document contains a brief description of the products offered by Camozzi Automation at time of publication. For more complete and up to date information about the Camozzi Automation product range, please refer to our online catalogue at <http://catalogue.camozzi.com/>.

Assortment boxes / Repair Kits

For the pneumatic system of commercial vehicles and trailers.

Air brake & Airsuspension > Series 9000 Accessories > Series 6000

The TRUCK-DCASE kits enable drivers to repair tube damages or other smaller issues on the connections when being out on the road or in the field and professional repair/ maintenance is out of reach.

These repair kits contain fittings in the most common sizes, the necessary release tools, as well as a tube cutting device. The TRUCK-DCASE also contains concise user instructions.

SERIES 9000

MODEL TRUCK-DCASE/6000

Repair kit with Series 6000 fittings

The kit is supplied with:

2x 6580 4	2x 6580 10	1x PNZP-12
2x 6580 5	1x 6580 12	
2x 6580 6	1x 6580 14	
2x 6580 8		

NOTE: the 6000 fittings are only for use in auxiliary applications (no airbrake, no suspension, no powertrain).



MODEL TRUCK-DCASE/9000

Repair kit with Series 9000 fittings

The kit is supplied with:

2x 9580 6	1x DRK 6	1x PNZP-12
2x 9580 8	1x DRK 8	
2x 9580 10	1x DRK 10	
2x 9580 12	1x DRK 12	



MODEL TRUCK-DCASE/9000+6000

Repair kit with Series 9000 and Series 6000 fittings

The kit is supplied with:

1x 6580 4	2x 6580 10	2x 9580 6	1x DRK 6
1x 6580 5	1x 6580 12	2x 9580 8	1x DRK 8
1x 6580 6	1x 6580 14	1x 9580 10	1x DRK 10
1x 6580 8		1x 9580 12	1x DRK 12
			1x PNZP-12

NOTE: the 6000 fittings are only for use in auxiliary applications (no airbrake, no suspension, no powertrain).



DISCOVER THE COMPLETE RANGE OF CAMOZZI AUTOMATION FITTINGS FOR THE TRANSPORTATION SECTOR



Fitting Series:

- **Series 1000**
Brass universal nose fittings
- **Series 2000**
Brass adaptors
- **Series 5000**
Quick release couplings
- **Series 6000**
Single seal brass super-rapid fittings
- **Series HP6000**
Single seal brass super-rapid fittings for lubrication
- **Series 7000**
Single seal composite super-rapid fittings
- **Series 8000/H8000**
Dual seal brass super-rapid fittings
- **Series 9000**
Dual seal brass airbrake fittings (metric/collet design)
- **Series ND**
Single seal brass airbrake fittings (Inch/collet design)



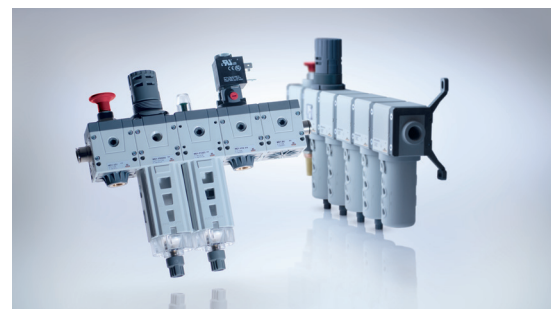
More Product Lines:



■ VALVES AND SOLENOID VALVES



■ ACTUATORS



■ AIR TREATMENT

Contacts

Camozzi Automation S.p.A.
Società Unipersonale
Via Eritrea, 20/I
25126 Brescia
Italy
Tel. +39 030 37921
transportation@camozzi.com

Customer Service
Tel. +39 030 3792790
service@camozzi.com

Export Department
Tel. +39 030 3792253
sales@camozzi.com

